

nurus



# U Too Workstations

Design by **Aksu-Suardi**

---

## U Too Workstations

U Too workstations facilitate flexible organization of workspaces according to number of employees in different units and lines of business. U Too workstations provide full support to ensure team efforts are carried on with cooperation and interaction, while embracing personalization and customization of workspaces with Tools accessories.

Workstations created with monopod desks used with commodes help you to design your workspace in accordance with number of employees. Thanks to direct line of cable canals mounted on commodes, U Too workstations facilitate access to electrical, telephone, data and internet connectivity. These features also help prevent the mess and visual pollution caused by cables.

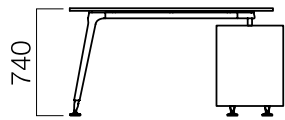
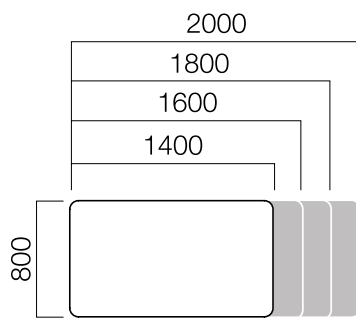
## Design by Aksu-Suardi

Following his works in Stuttgart, Paris ve Milano, Sezgin Aksu started working in collaboration with Michele De Lucchi in his Milano based studio in 1996. Silvia Suardi started her career in Michele De Lucchi Studio, and worked there for 10 years. In 2001, her and Sezgin Aksu together established AKSU/SUARDI Studio, where they provided industrial, furniture, and graphic design in a wide range from public spaces to home decoration. Certain brands they have provided consultancy services to include Antonangeli, Caimi Brevetti, Credit Agricole Asset Management (CAAM), Eurizon Capital Sgr Spa, eDePadova, Gebrüder Thonet Vienna, Nemo-Cassina, Poltrona Frau, Olivetti, Rubinetterie Teorema, Slide and Serafino Zani.

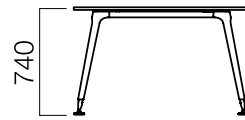
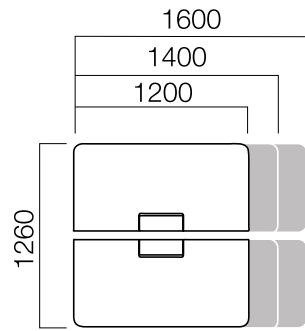


reddot design award  
winner 2007

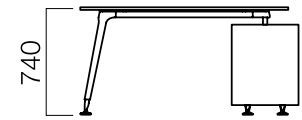
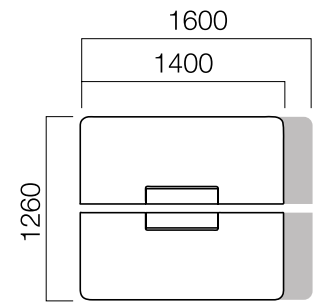
DIMENSIONS (mm)



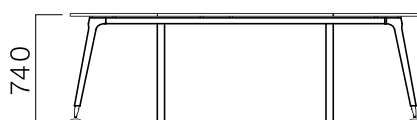
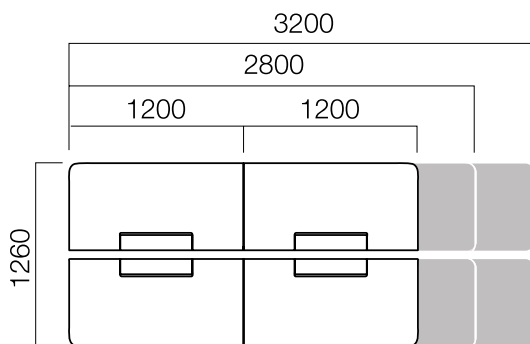
W:80 cm 2 Leg Desk



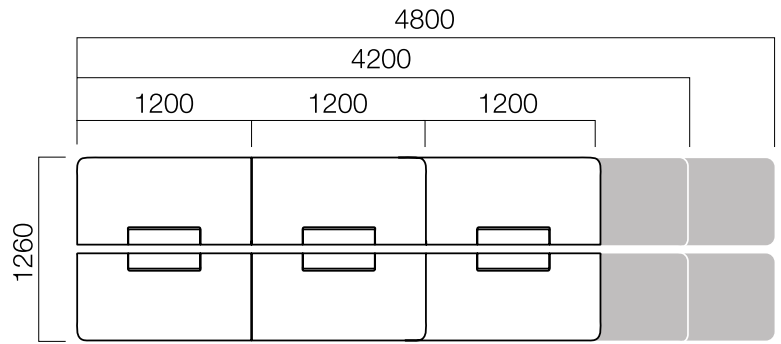
W:126 cm Desk



W:126 cm 2 Leg Desk



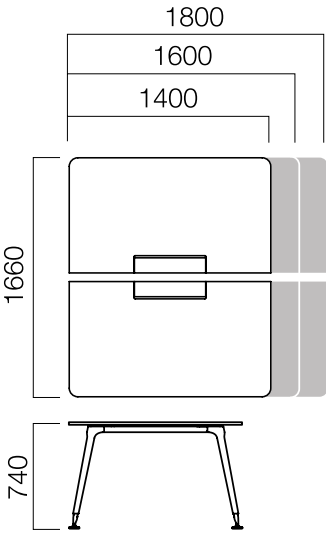
W:126 cm Quartet Table



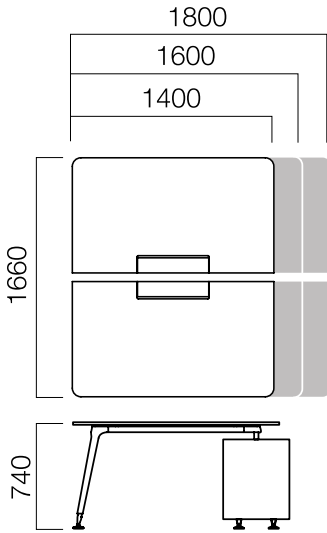
W:126 cm Sextet Table

\* Two-leg tables are utilized standing on a cabinet.

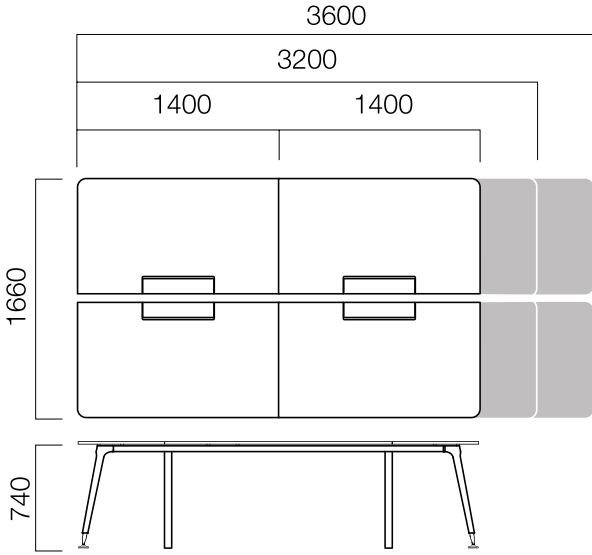
DIMENSIONS (mm)



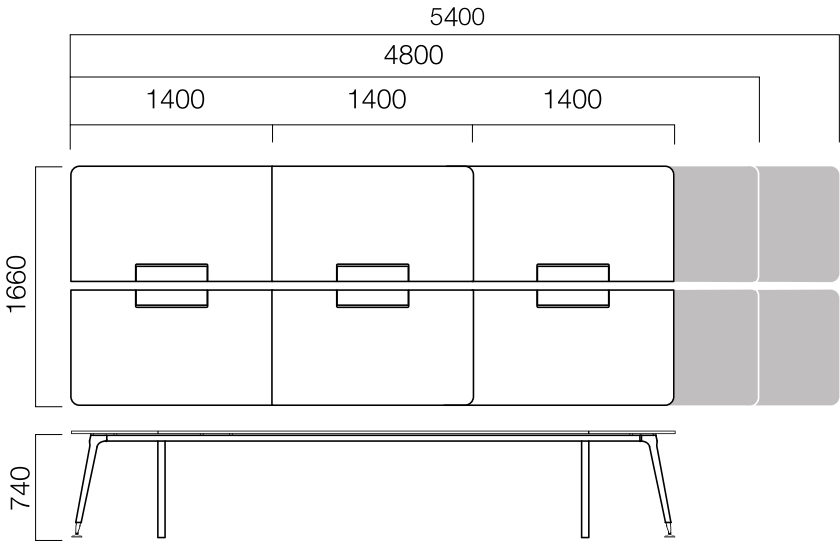
W:126 cm Desk



W:126 cm 2 Leg Desk



W:126 cm Quartet Table

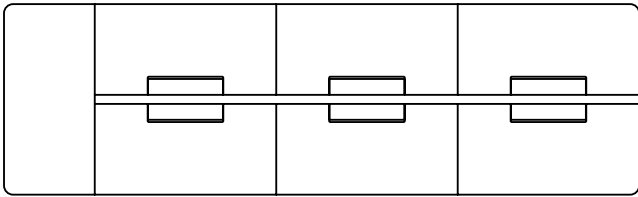
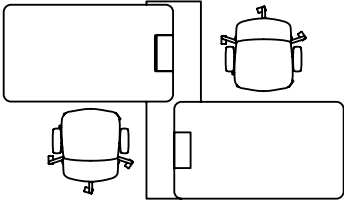
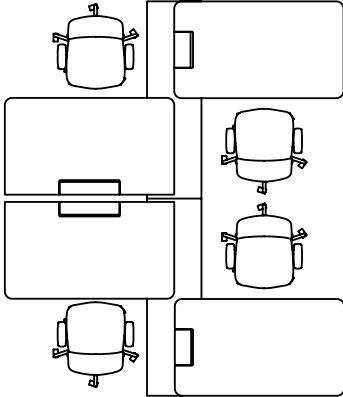
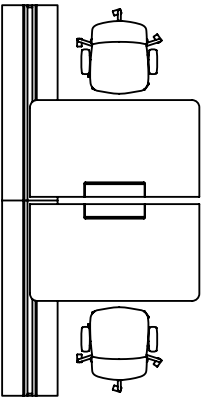
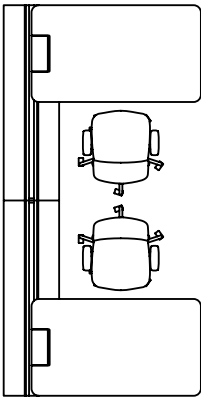


W:126 cm Sextet Table

\* Two-leg tables are utilized standing on a cabinet.

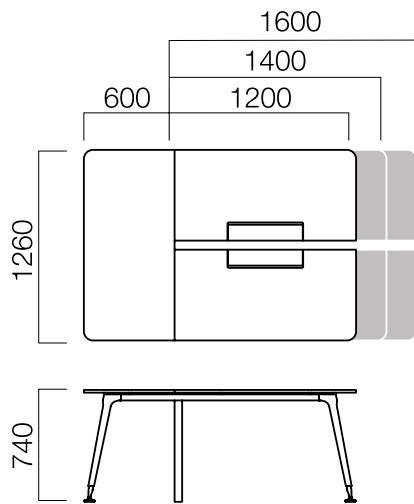
DIMENSIONS (mm)

2-Leg Table Workstation Utilization Examples

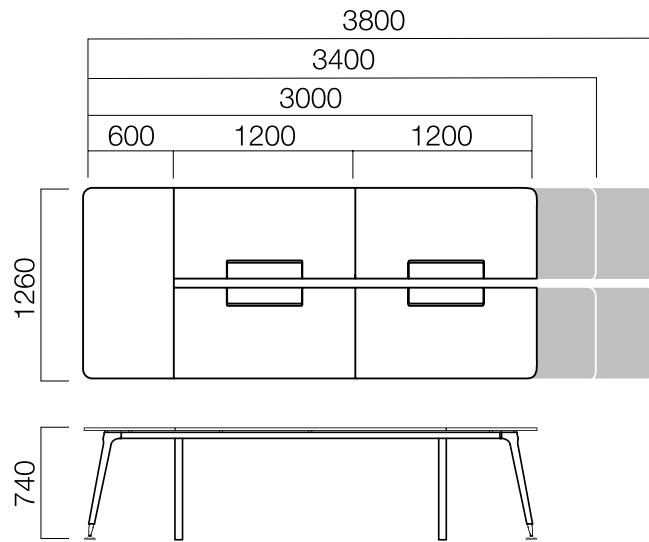


## DIMENSIONS (mm)

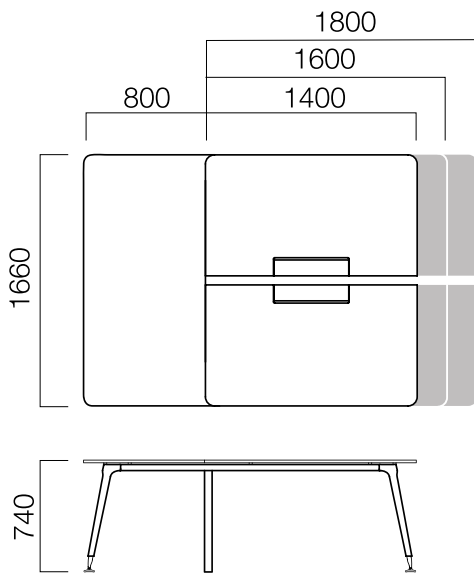
### Workstations Side-Extension Tables



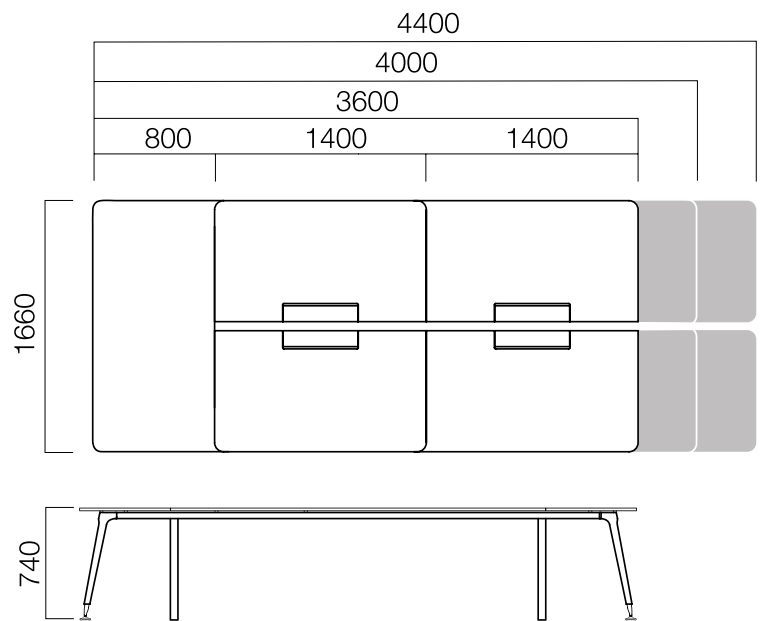
W: 126 cm Single Side-Extension Table



W: 126 cm Single Side-Extension Quartet Table



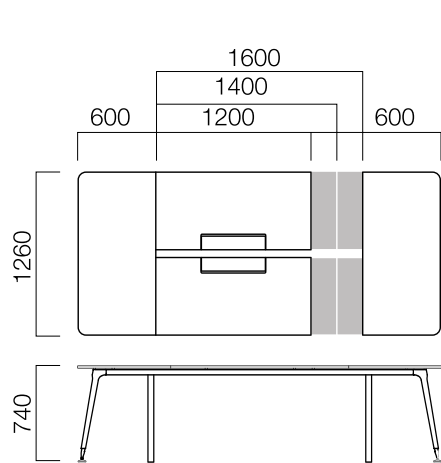
W: 166 cm Single Side-Extension Table



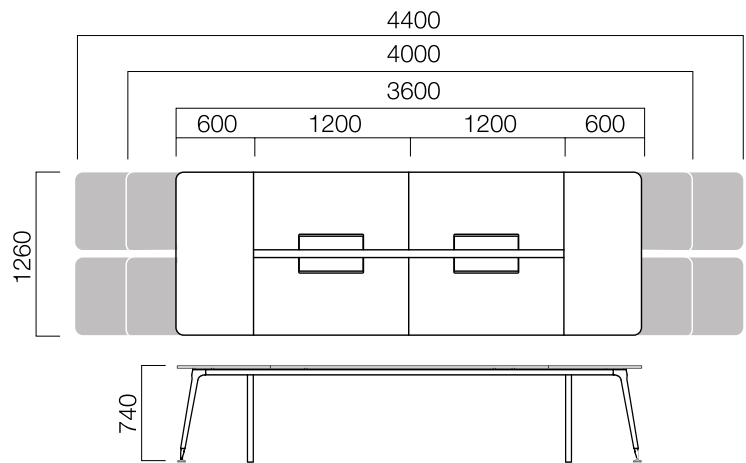
W: 166 cm Single Side-Extension Quartet Table

## DIMENSIONS (mm)

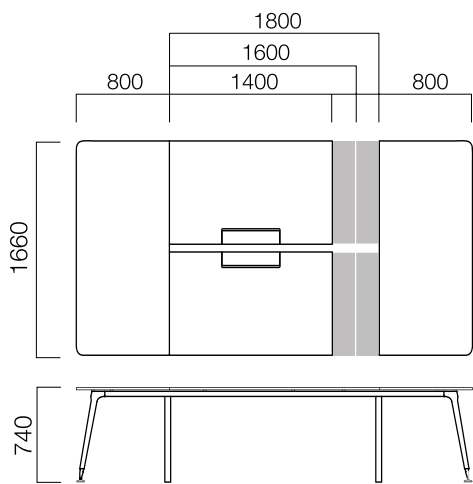
### Workstations Double Side-Extension Tables



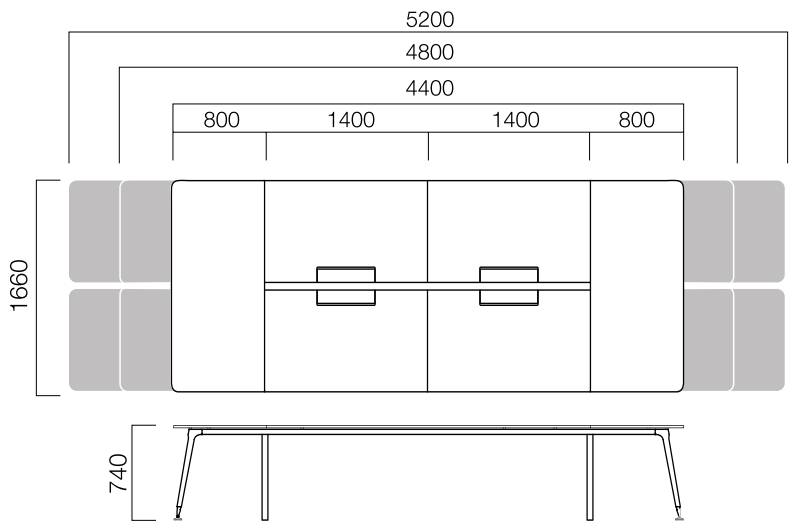
W:126 cm Double Side-Extension Table



W:126 cm Double Side-Extension Quartet Table



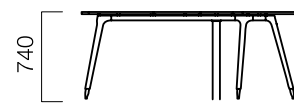
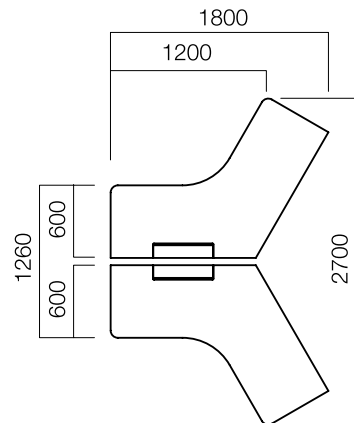
W:166 cm Double Side-Extension Table



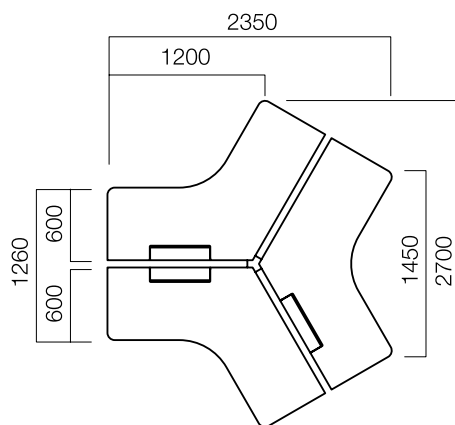
W:166 cm Double Side-Extension Quartet Table

## DIMENSIONS (mm)

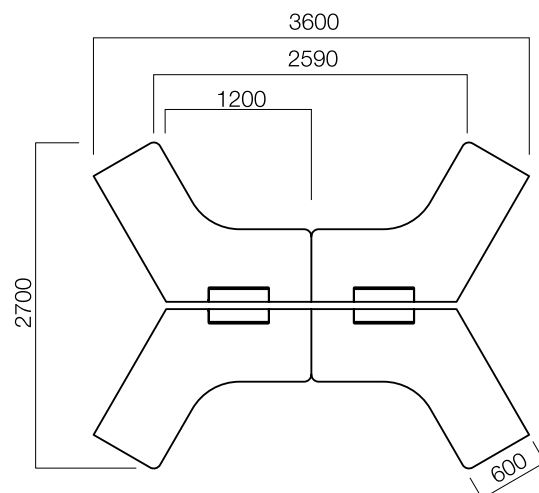
### Workstations – Angled Tables



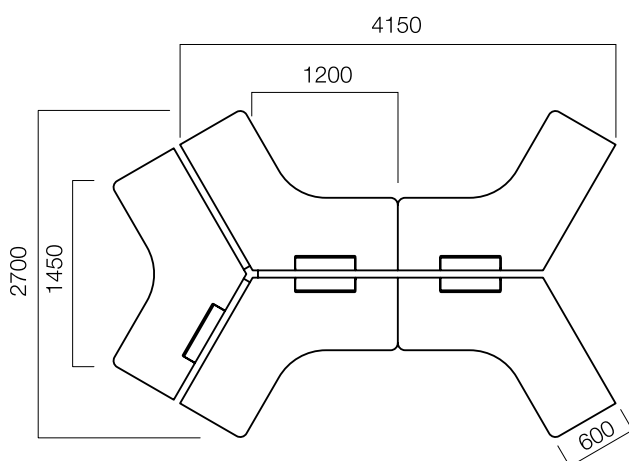
120° Duo Table



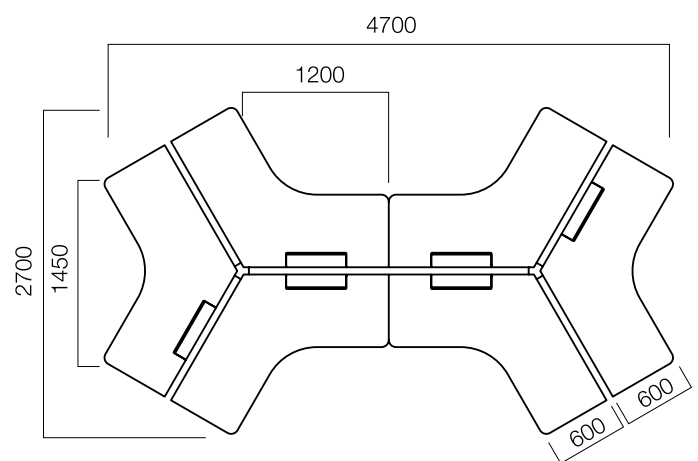
120° Angle Triple Table



120° Quartet Table



120° Quintet Table

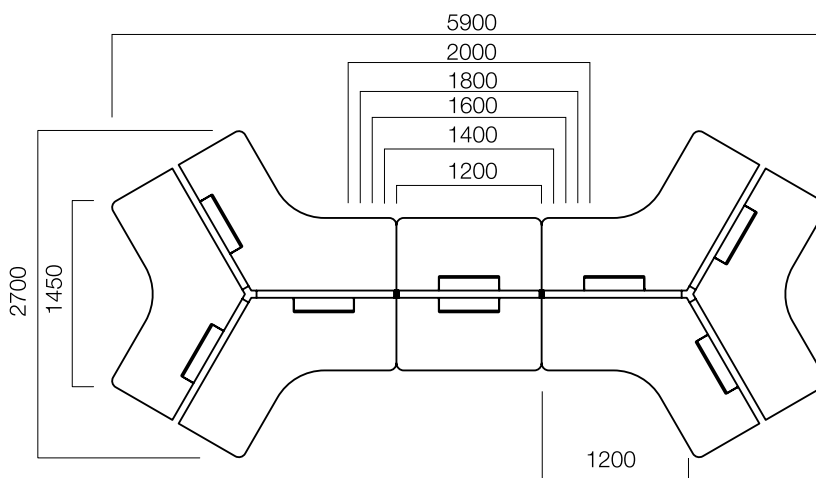


120° Angle Senary Table

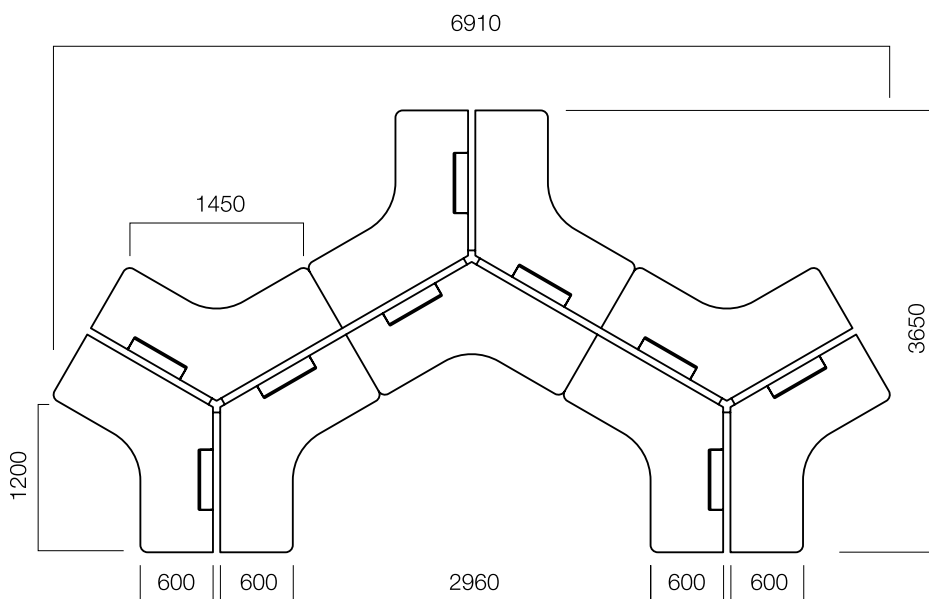


DIMENSIONS (mm)

Workstations – Angled Tables



120° Angle Octal Table



120° Ennead Table

Dimensions defined in millimetres.

**Materials**

Desk slab choices include melamine, natural veneer, vintorio veneer, recomposed veneer, compact recomposed veneer, or compact laminated. Desk legs are made of powder painted aluminium profile. Touches the ground via footing made of chrome plated aluminium and metal. Suitable for use with Tools middle panels and accessories.\*

\* Please refer to technical document for more information.