

nurus



Lunar Single Desks

Design by **Nurus D Lab**

Lunar Single Desks

Lunar desks are designed for home offices, unit managers, and all other individual workspaces; you can choose from single leg, double leg, or with whatnot and nightstand for leg.

Single desks of Lunar, come in different shapes and sizes; they not only serve as meeting tables in executive offices, but they can also be utilized in social areas and public spaces.

Lunar desks offer two different table slab choices: perpendicular corners and radius.

Design by Nurus D Lab

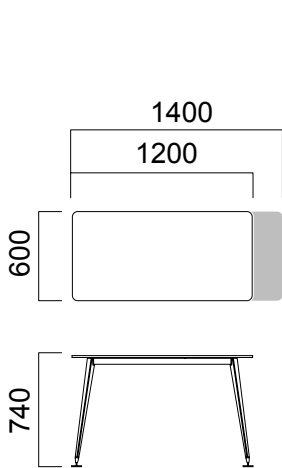
Always up-to-date with science and technology, Nurus D-Lab designs products that are ahead of their time.

Through human-centered observation, prototyping and in respect to trending needs and dreams, the team works diligently. Coming up with meaningful and reflective design solutions only marks the start of the process: From strategy to launch and support, D-Lab manages it all. Each detail is attended and tested through at the advanced level.

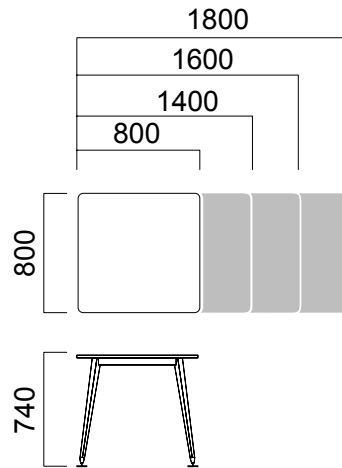


DIMENSIONS (mm)

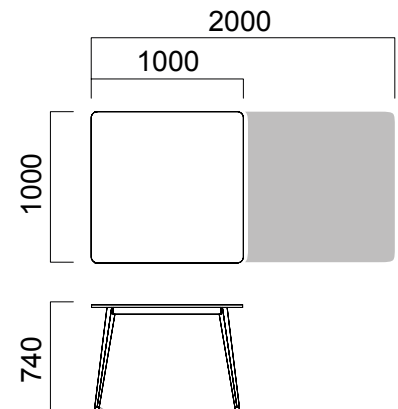
Single Desks



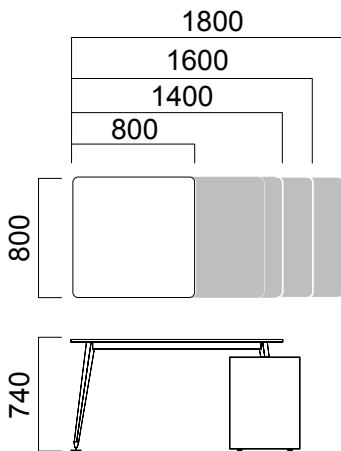
W:60 cm Desk



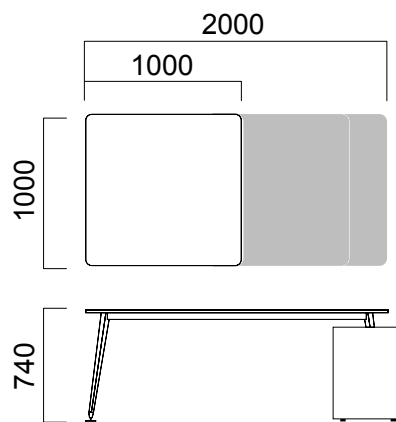
W:80 cm Desk



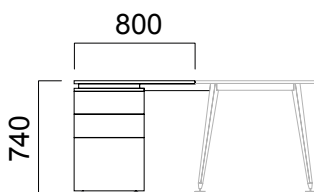
W:100 cm Desk



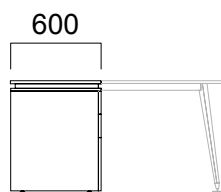
W:80 cm Desk with Single Leg



W:100 cm Desk with Single Leg



W:60 cm Cabinet with Commode Leg

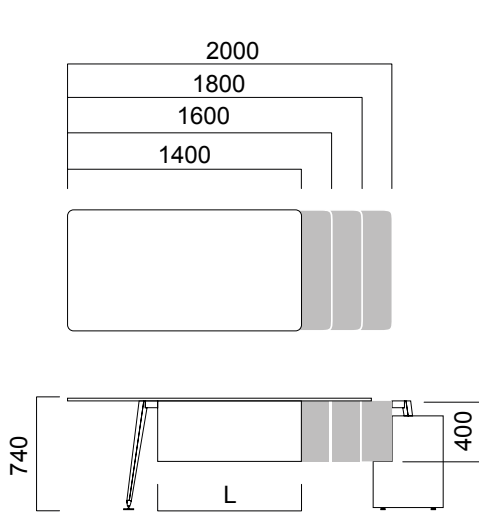


*There are 4 drawers or 2 drawers + 1 File Drawer option.

**Double, single or built-in handles are used on drawers.

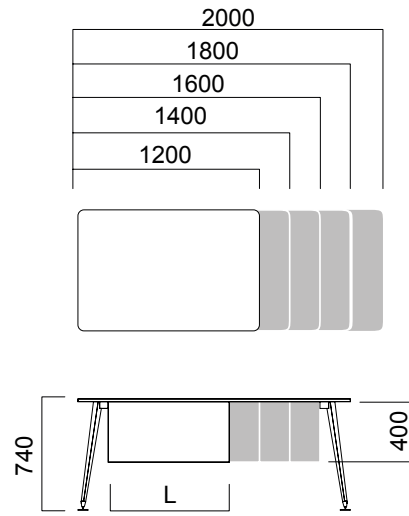
ÖLÇÜLER (mm)

Front Panels



Single Leg Desk

*Front panel size is -45cm from table length for W:80/100 single leg desk.



Desk

*Front panel size is -40cm from table length for W:80/100 desk.

Dimensions defined in millimetres.

Materyal

Table slab and front panel are made of melamine. Legs are made of powder painted metal.*

* Please refer to technical document for more information.