

**nurus**

# Chiara Collection

Design by **Noé Duchaufour Lawrance**

---

BERNHARDT | design by **nurus**



## **You won't want to share!**

Chiara which is inspired by the nature and modern functionality has the elegant and fluent looks of flower petals. Chiara can be customized for each person and brings a modern, generous and simple effect to the area. It doesn't limit the freedom of movement while supporting the body like a cradle.

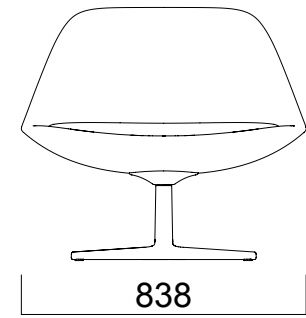
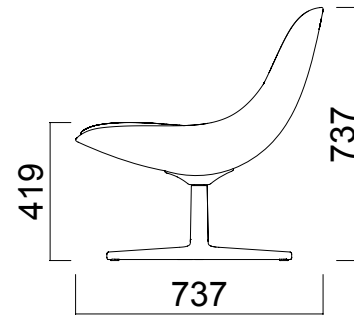


Chiara's metal basis which looks like an organic appendage, resembles a water lily. Its details like the depth of its stitches and its pillow are designed with utmost care. In this world where we are faced with many stimuli each moment, Chiara is your personal shelter for resting and thinking.





DIMENSIONS (mm)



[nurus.com/chiara](https://nurus.com/chiara)