

nurus

XL Collection

Design by **Nurus D Lab**



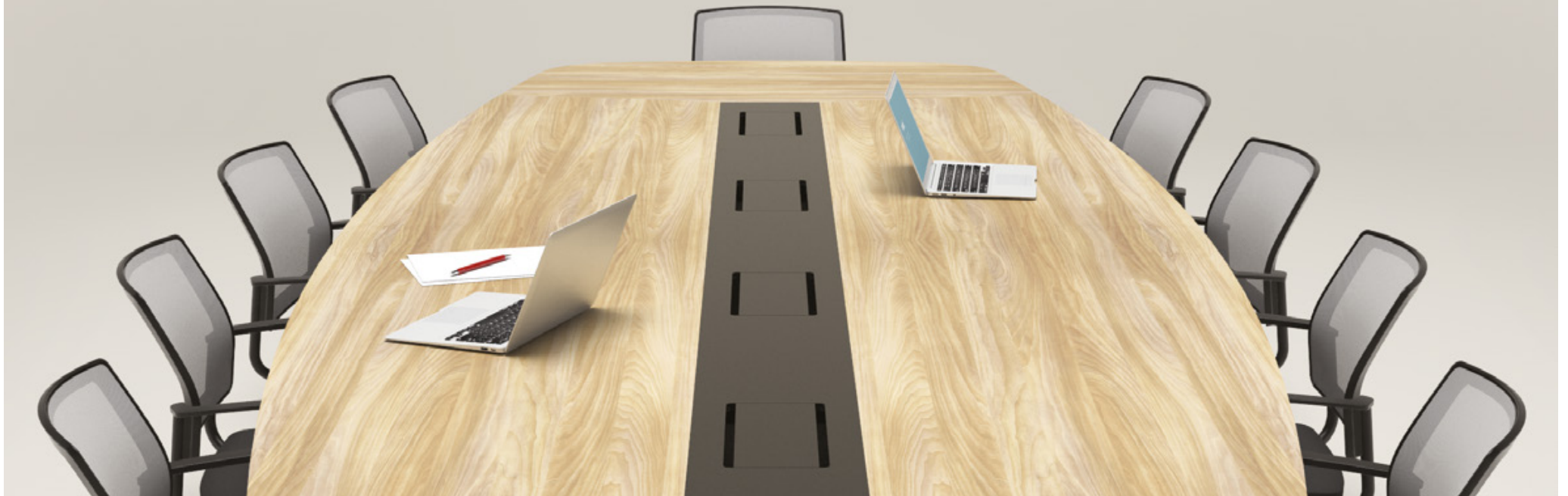
When great ideas meet.

A reflection of your corporate identity with a rich selection of materials; XL creates prestigious and powerful meeting areas. With 4 options, ranging in size from 3.2 to 8 meters (S, M, L and XL), XL tables are the ideal choice for meeting or conference rooms of different sizes. XL bears the nature and splendor of wood in appearance.

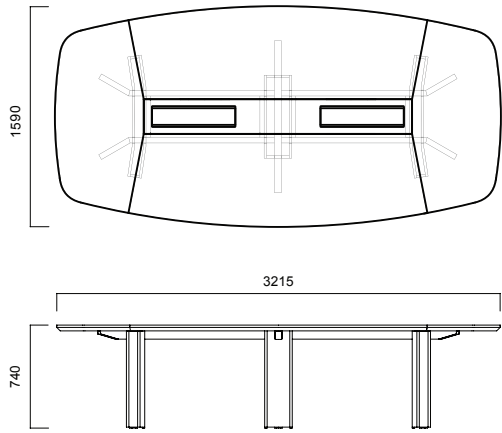


XL is easily distinguishable for its endurance as well as its connectivity solutions. True to today's needs, XL hauls electrical and data connections to the tabletop through its closed frame legs. Outlets are secured and hidden by the lacquered cable covers located in the center, accounting for an overall sharp look.

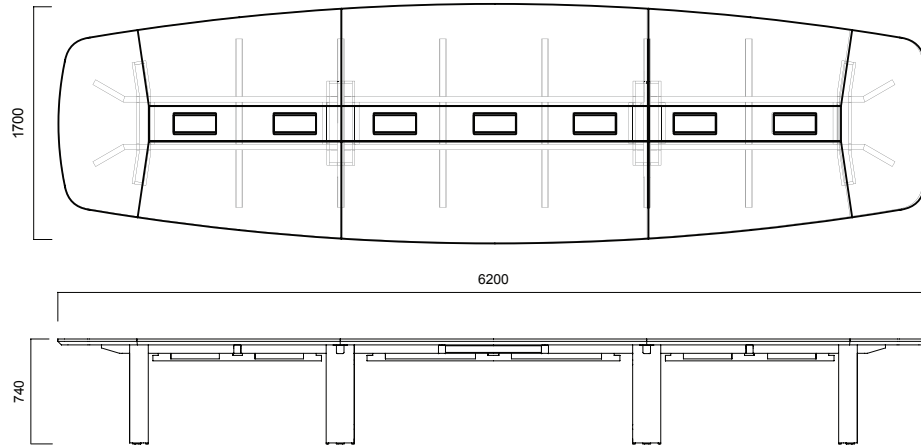
- Lacquered bottom section of the tabletop.
- Optional open or closed frame legs.



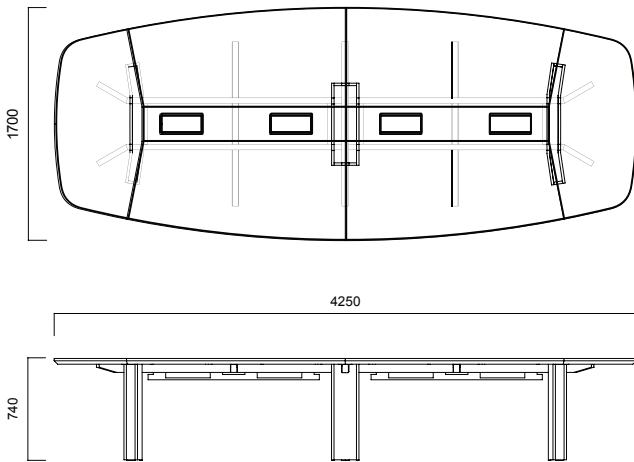
DIMENSIONS (mm)



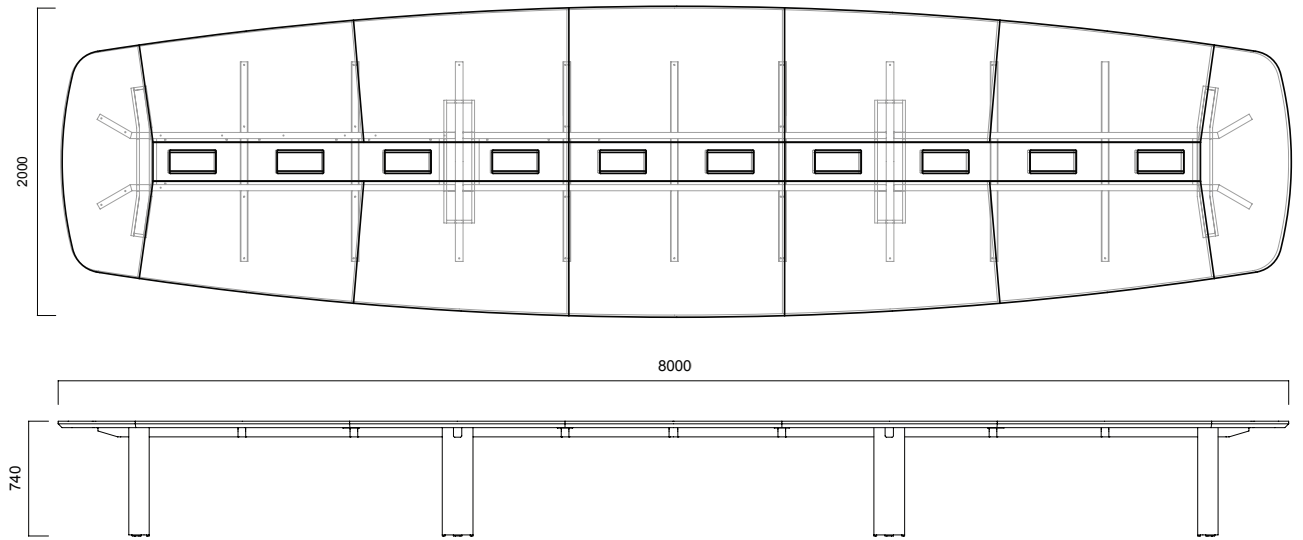
S
Ideal User Count for S Desk: 8p



L
Ideal User Count for L Desk: 16p



M
Ideal User Count for M Desk: 10p



XL
Ideal User Count for XL Desk: 22p

nurus.com/xl