

**nurus**



# Sacha

Design by **Nurus D Lab**

---

## Sacha

An ambitious and skillful addition to executive offices, meeting halls, waiting areas and lounges: Inspired by the ever-competitive automotive industry and the human form, Sacha's ergonomics bind high-end workmanship with superior comfort.

Overall, Sacha's detailed stitching and uninterrupted contours make it an essential contribution to the space it is used in. Sacha easily lends itself to several administrative work-spheres, complements your corporate identity and always manages to stand out.

- Low, medium and high backrest alternatives.
- With optional wooden veneer or lacquer paint on the armrests.
- Leather, eco-leather and fabric material with rich color options.
- 5-star castor base for hard or soft floor use.
- With pivot point located near the front edge of the chair, synchronous knee tilt mechanism allows up to 16 degrees of adjustable back tilt motion.

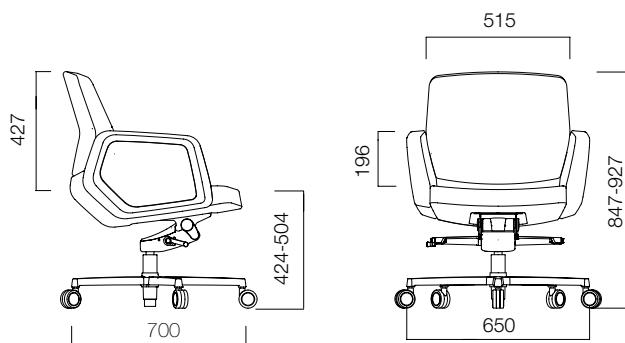
## Design by Nurus D Lab

Always up-to-date with science and technology, Nurus D-Lab designs products that are ahead of their time. Through human-centered observation, prototyping and in respect to trending needs and dreams, the team works diligently. Coming up with meaningful and reflective design solutions only marks the start of the process: From strategy to launch and support, D-Lab manages it all. Each detail is attended and tested through at the advanced level.

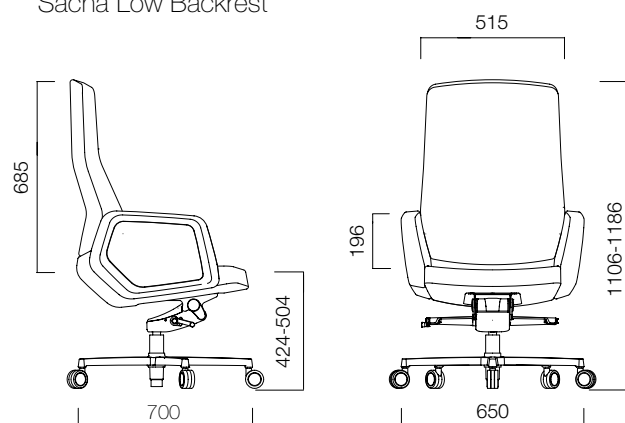
### Structural empowerment.



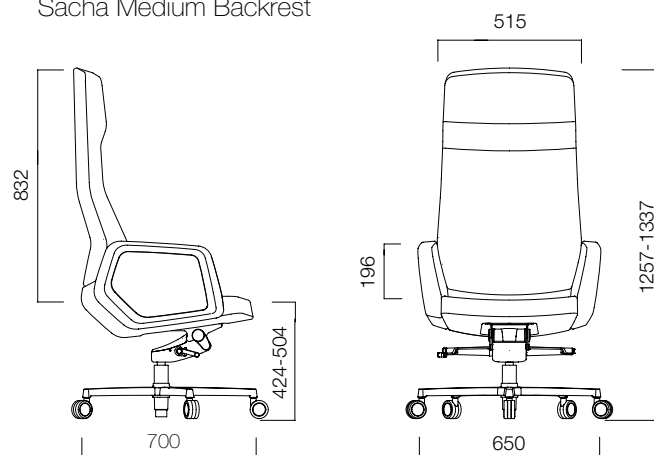
## DIMENSIONS (mm)



Sacha Low Backrest



Sacha Medium Backrest



Sacha High Backrest

Dimensions defined in millimeters.

### Materials

Legs come with 5-star base, chrome plated. Upholstery is available in different materials.\*

### Armrests

Wooden veneer and lacquered options on the armrests.\*

### Upholstery

Upholstery available in fabric, leather and eco-leather.\*

\*Please refer to technical document.