

nurus



Mia Dyna-Support®

Design by **Nurus D Lab**

Mia Dyna-Support®

A performance task chair which promotes healthier sitting through hours of desk bound work: With special mechanisms that facilitate customization and a wide range of fabric and color options, Mia is easily adaptable to various workspaces and styles. Backrest height, arms and neck support may be fine-tuned to demand.

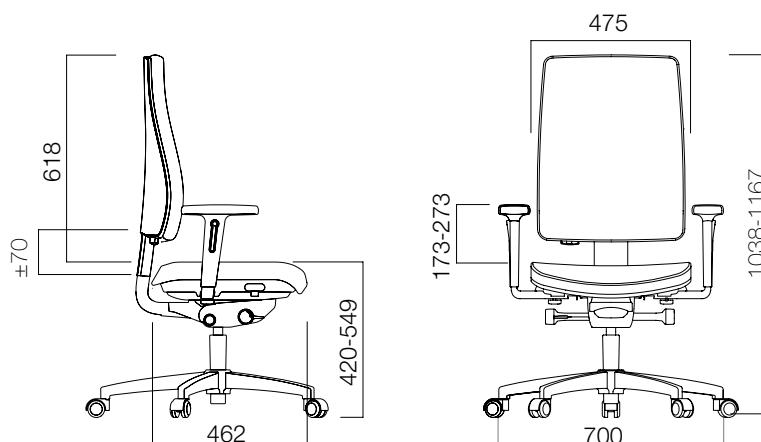
Give your body the support it needs. Mia adheres to work health and safety regulations. With high and low, adjustable backrest options, Mia **Dyna-Support®** is response: It reacts to the weight of you, eliminating the need to make any special adjustments. Allows 18 degrees of back tilt. Can be locked in an upright position. Perfect for touchdown areas and shared work spaces.

Design by Nurus D Lab

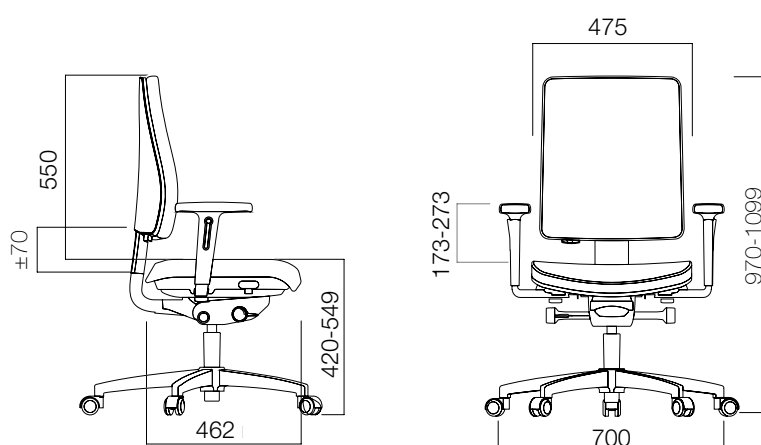
Always up-to-date with science and technology, Nurus D-Lab designs products that are ahead of their time. Through human-centered observation, prototyping and in respect to trending needs and dreams, the team works diligently. Coming up with meaningful and reflective design solutions only marks the start of the process: From strategy to launch and support, D-Lab manages it all. Each detail is attended and tested through at the advanced level.



DIMENSIONS (mm)



Mia High Backrest
Pro-Support® / Dyna-Support®



Mia Low Backrest
Pro-Support® / Dyna-Support®

Dimensions defined in millimeters.

Materials

Frame comes black; PP legs comply with the frame color. Also available in aluminum base.*

Upholstery

Upholstery is available in fabric, leather and eco-leather.*

*Please refer to technical document.