

**nurus**



# M Chair High Backrest

Design by **Nurus D Lab**

---

## M Chair High Backrest

A statement of authority, elegance and comfort. High-end comfort for executive and managerial areas. Features a 5-star base configuration on castor wheels that provides for a lot of movement.

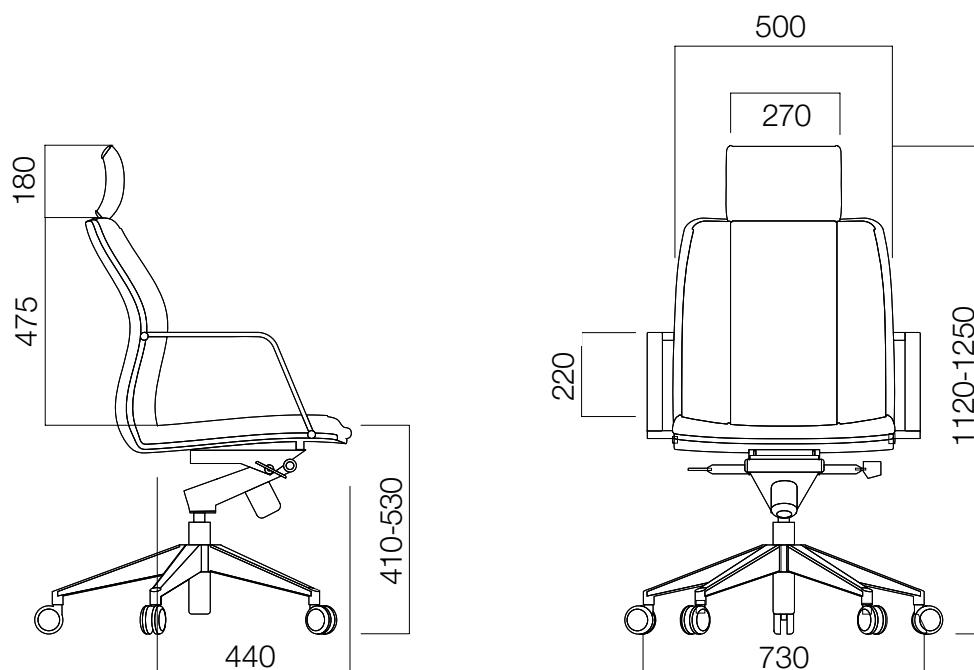
With pivot point located near the front edge, the M Chair features a knee tilt mechanism that allows up to 16 degrees of back tilt motion. Adjust backrest tension to your body weight or lock it 6 preset positions.

## Design by Nurus D Lab

Always up-to-date with science and technology, Nurus D Lab designs products that are ahead of their time. Through human-centered observation, prototyping and in respect to trending needs and dreams, the team works diligently. Coming up with meaningful and reflective design solutions only marks the start of the process: From strategy to launch and support, D Lab manages it all. Each detail is attended and tested through at the advanced level.



## DIMENSIONS (mm)



Dimensions defined in millimeters.

### Materials

Armrests color is black. Legs come black PP or aluminum.\*

### Upholstery

Upholstery available in fabric, leather and eco-leather.\*

\*Please refer to technical document.