

**nurus**



# D Chair Fixed

Design by **Nurus D Lab**

## D Chair Fixed

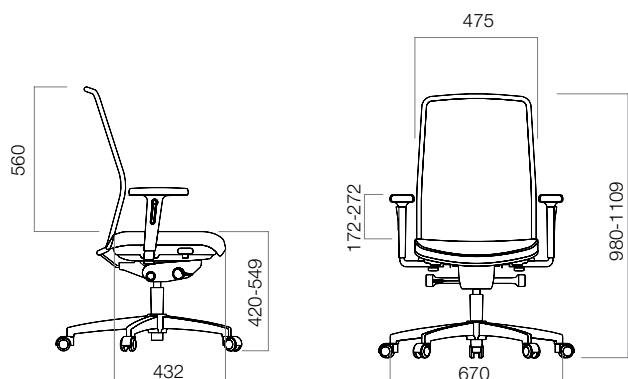
Reinterpretation of the classic D Chair design for working with elevated tables and surfaces. A popular fit for technical work environments, welcome and consultation areas. Features improved stability and comfort. With footrest and high or low backrest options.

## Design by Nurus D Lab

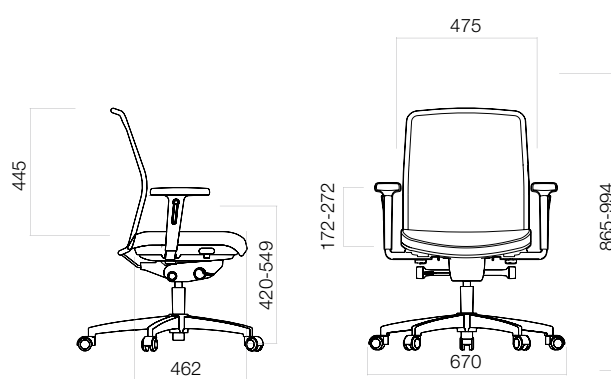
Always up-to-date with science and technology, Nurus D Lab designs products that are ahead of their time. Through human-centered observation, prototyping and in respect to trending needs and dreams, the team works diligently. Coming up with meaningful and reflective design solutions only marks the start of the process: From strategy to launch and support, D Lab manages it all. Each detail is attended and tested through at the advanced level.



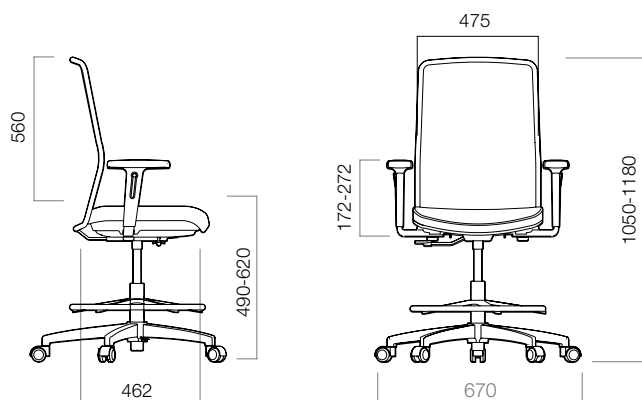
## DIMENSIONS (mm)



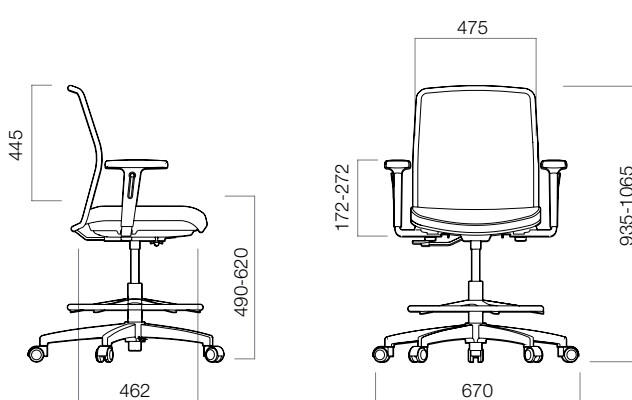
D Chair High Backrest  
**Pro-Support® / Dyna-Support® / Fixed**



D Chair Low Backrest  
**Pro-Support® / Dyna-Support® / Fixed**



D Chair High Backrest  
 Fixed High



D Chair Low Backrest  
 Fixed High

Dimensions defined in millimeters.

### Materials

Frame comes with black and light gray options. PP legs comply with the frame color. Also available in aluminum base. Upholstery is available in different materials. Backrest is available in mesh.\*

\*Please refer to technical document.