

nurus



D Chair Pro-Support®

Design by **Nurus D Lab**

D Chair Pro-Support®

The workplace has evolved and so did our work tools: D Chair is a highly individualized performance task chair that is both comfortable and versatile. Contemporary and minimalistic, it is a proven choice for all work areas, from executive offices to home-offices and front desks.

D Chair **Pro-Support®** is adaptability: It may be personalized for extra comfort, regardless of body size or type. Backrest tension may be individualized with quick and fine adjustments. Encourages a healthy sitting habit for as long as you work. Allows 23 degrees of synchronous back tilt motion; three preset angles and may also be locked in an upright position. Ideal for all work environments, as well as executive offices.

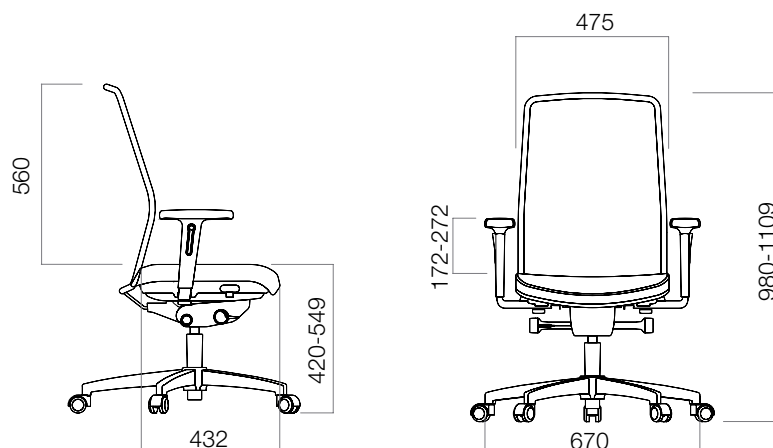
Highly balanced and stable on a 70cm diameter base. Prevents falling back or forth. Its compliance to workplace health and safety standards have been approved and certified by LGA.

Design by Nurus D Lab

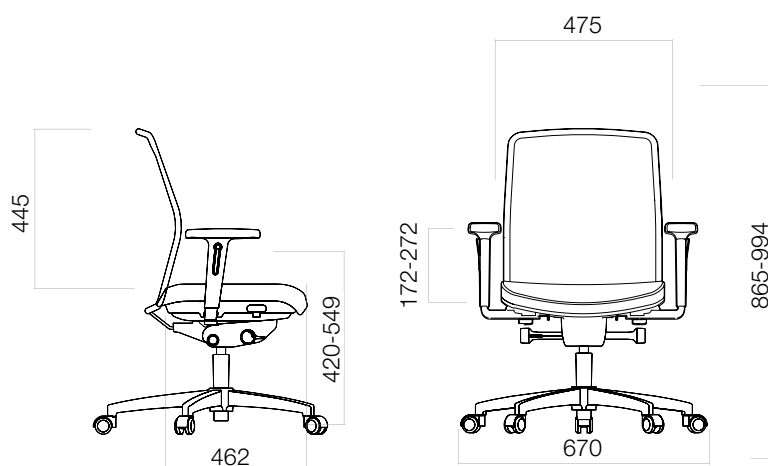
Always up-to-date with science and technology, Nurus D Lab designs products that are ahead of their time. Through human-centered observation, prototyping and in respect to trending needs and dreams, the team works diligently. Coming up with meaningful and reflective design solutions only marks the start of the process: From strategy to launch and support, D Lab manages it all. Each detail is attended and tested through at the advanced level.



DIMENSIONS (mm)



D Chair High Backrest
Pro-Support® / Dyna-Support® / Fixed



D Chair Low Backrest
Pro-Support® / Dyna-Support® / Fixed

Dimensions defined in millimeters.

Materials

Frame comes with black and light gray options. PP legs comply with the frame color. Also available in aluminum base. Upholstery is available in different materials. Backrest is available in mesh.*

*Please refer to technical document.