

nurus



Breeze High

Design by **Justus Kolberg**

Breeze High

A special purpose elevated version with a footrest. A good interior design solution for technical work environments such as welcome and consultation areas and airport control towers.

Dyna-Support® is response: It reacts to your weight, eliminating the need to make any special adjustments. It is a weight-activated mechanism with synchronous motion that helps keep your body in a healthy, natural position through average working hours. Allows 18 degrees of back tilt motion. Can be locked in an upright position. Perfect for touchdown areas and shared working environments.

Pro-Support® is adaptability: It can be personalized for extra comfort, regardless of body size or type. Backrest tension can be individualized with quick and fine adjustments. Encourages a healthy sitting habit for as long as you work. Allows 23 degrees of synchronous back tilt motion; three preset angles and can also be locked in an upright position. Ideal for all work environments, as well as executive offices.

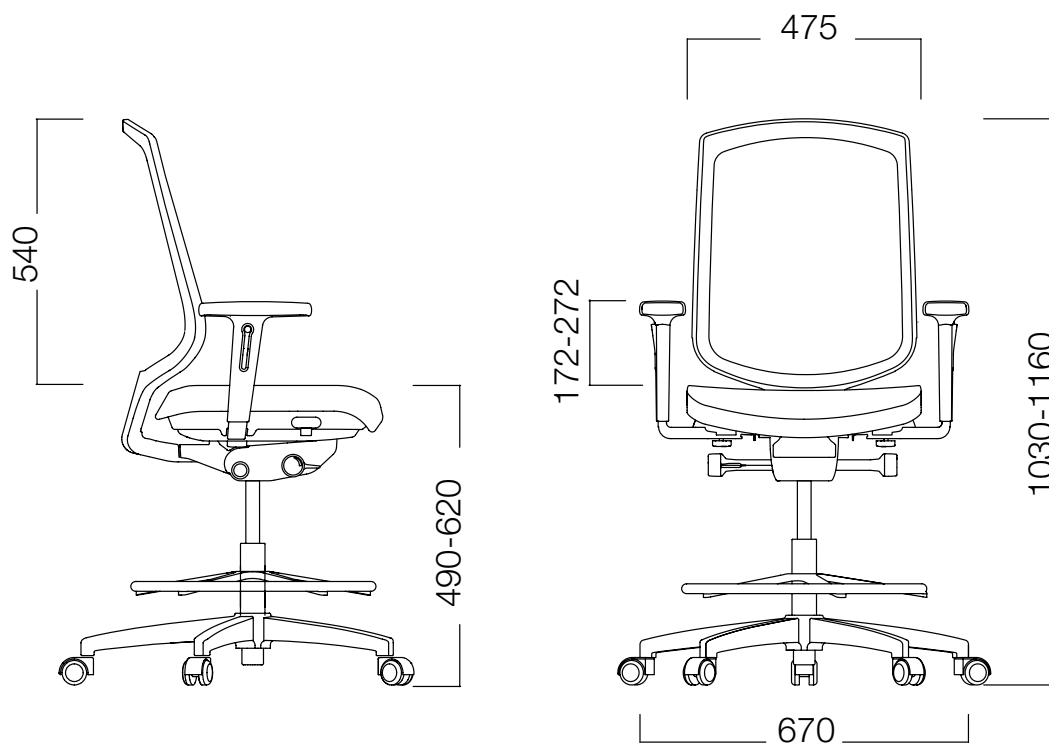
- Durable, flexible and breathable mesh backrest.
- With **Dyna-Support®** or **Pro-Support®** mechanism.
- A variety of personalization tools.
- Frame in black or light gray.
- With optional adjustable headrest, seat slide and lumbar support

Design by Justus Kolberg

Kolberg graduated from Muthesius College, Industrial Design in Kiel, Germany in 1990. During his work in Kolberg, Spain and Germany, he stood out with his striking designs. Kolberg's extraordinary professional career extends to modern technical architecture. As of today, his main focus is on seating groups and table designs. Kolberg gained much international recognition including Design Week Great Britain and Design Champion first prize awards, the IDEA-Gold Industrial Design Excellence Award and 9 Red Dots.



DIMENSIONS (mm)



Dimensions defined in millimeters.

Materials

Frame comes black. PP legs comply with the frame color. Also available in aluminum base. Upholstery is available in different materials.*

Upholstery

Seat upholstery available in fabric, leather and eco-leather. Backrest is available in mesh.*

*Please refer to technical document.