

nurus



Aura Lounge

Design by **Nurus D Lab**

Aura Lounge

A distinctive choice for shared spaces, dining and reception areas including lounges, homes, hotel lobbies and more. With Aura, seat mimics the curve of the backrest. Craft your style with a wide range of material, color and quilted pattern options.

Aura offers comfortable sitting with its return spindle, which swivels in both directions when seated and returning the seat automatically to the original position when vacated.

- Upholstery: Leather, eco-leather or fabric (no patterns applied on fabric upholstery).
- High resilience padding adds comfort.
- With 4-star fixed base.

Design by Nurus D Lab

Always up-to-date with science and technology, Nurus D-Lab designs products that are ahead of their time. Through human-centered observation, prototyping and in respect to trending needs and dreams, the team works diligently. Coming up with meaningful and reflective design solutions only marks the start of the process: From strategy to launch and support, D-Lab manages it all. Each detail is attended and tested through at the advanced level.



PATTERNS

Pattern 00



Pattern 01



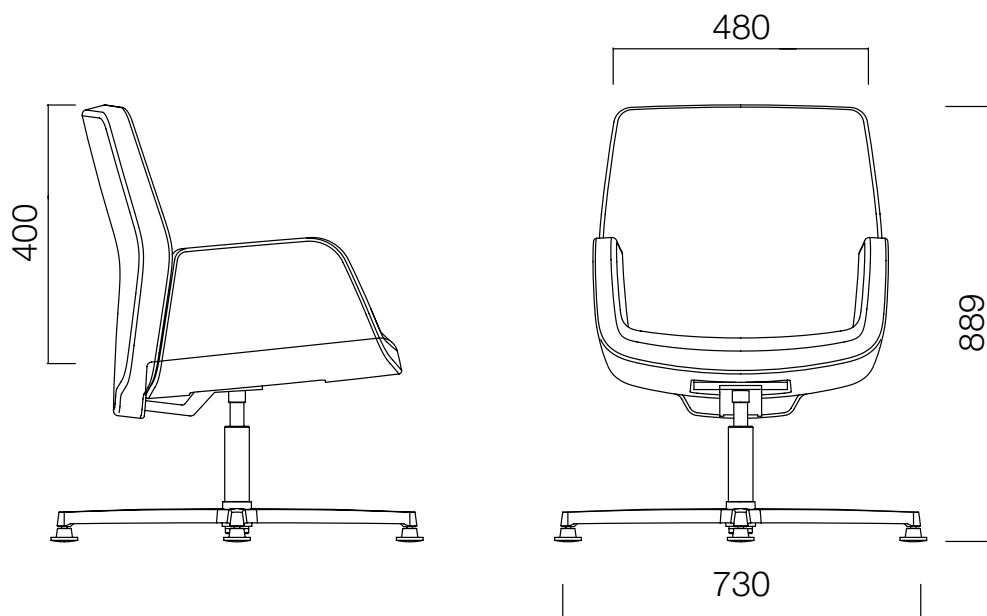
Pattern 02



Pattern 03



DIMENSIONS (mm)



Dimensions defined in millimeters.

Materials

4 star-base legs are chrome plated. Upholstery is available in different materials.*

Patterns

There are four different pattern options. (No patterns applied on fabric upholstery.)*

Upholstery

Upholstery available in fabric, leather and eco-leather.*

*Please refer to technical document.