

**nurus**

# Web Chair Collection

Design by **Giancarlo Bisaglia**

---



## **The ideal comfort for the perfect moments.**

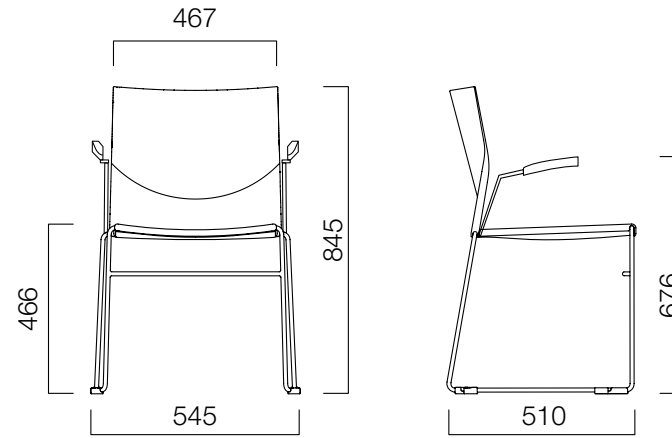
Web Chair which is manufactured from polypropylene has an upholstered chair and back. It has a high resistance chrome coated steel bar frame and upto 8 of them can be stacked on top of each other.

It holds the UNI EN 1728/00 standards which determines the durability and ergonomomy of performance chair in European Union countries.

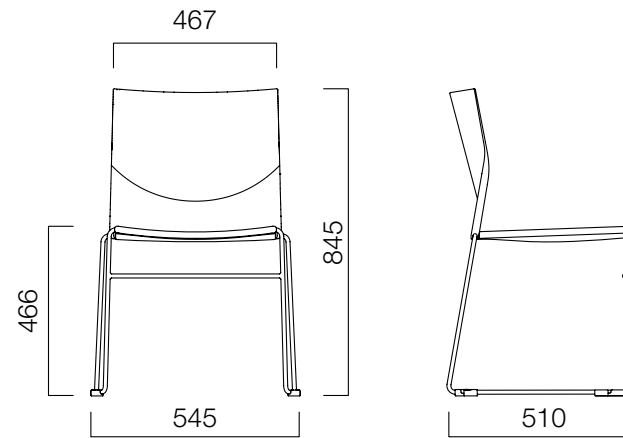




DIMENSIONS (mm)



Web Chair w/ Arms



Web Chair

[nurus.com/web-chair](https://nurus.com/web-chair)