

nurus



# Greta Meeting

Design by Nurus D Lab

---

## Greta Meeting

Featuring a combination of two Greta high backrest sofas with all the advantages and net 1230 mm height, Greta meeting module meets the requirements of a meeting room without a wall. Technological solutions and accessory choices can be added to Greta meeting module to maximize functionality.

Greta meeting set enables you to use limited spaces efficiently; middle panel featuring a **Nurus Links®** connection can be utilized as a media wall with optional screen and electrification solutions. Concentration will no longer be a problem with soft quilted upholstery and a high backrest that minimizes effects of environment.

Greta meeting set features double and triple sofas, along with a coffee table. Greta meeting features two different seating height options: you can use 41 cm version without a table, and 46 cm version with a meeting table.

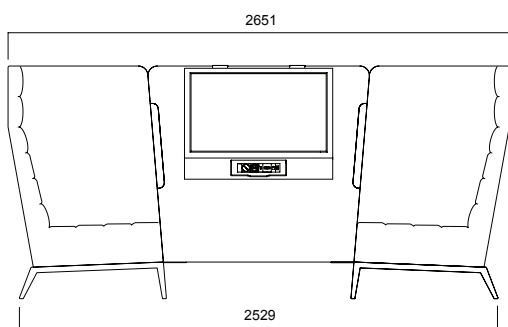
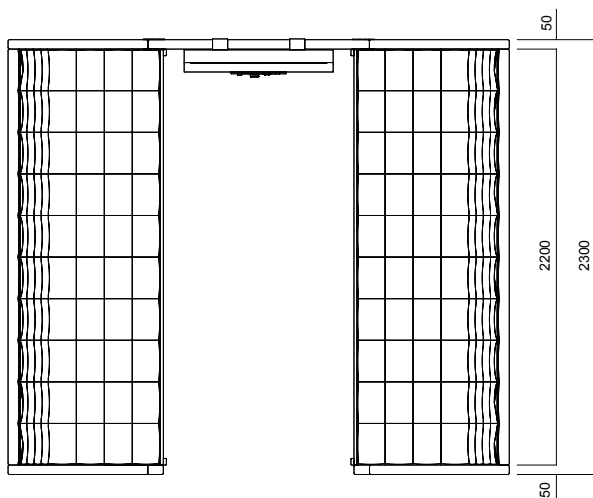
## Design by Nurus D Lab

Always up-to-date with science and technology, Nurus D Lab designs products that are ahead of their time. Through human-centred observation, prototyping and in respect to trending needs and dreams, the team works diligently. Coming up with meaningful and reflective design solutions only marks the start of the process: From strategy to launch and support, D Lab manages it all. Each detail is attended and tested through at the advanced level.

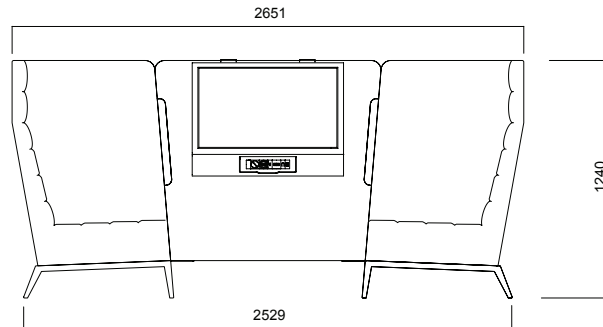
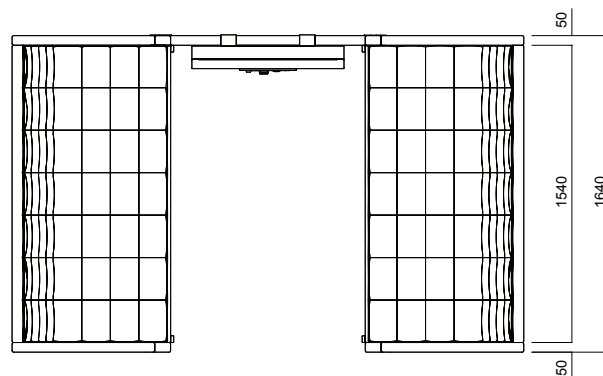
**High concentration, high functionality.**



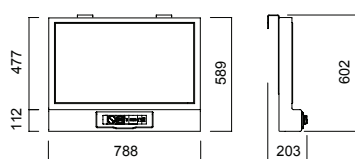
## DIMENSIONS (mm)



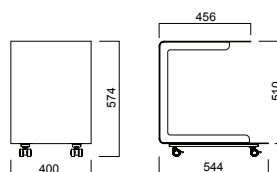
Greta Triple Meeting Module



Greta Double Meeting Module



Greta TV Unit



Greta Coffee Table

\*Greta High has 2 sitting height options: H:410 and H:460

Dimensions defined in millimetres.

### Materials

Legs are powder painted. Upholstery features various material choices.\*

\*Please refer to technical document for more information.