

nurus



Trea Dyna-Support[®]

Design by **Paul Brooks**

Trea Dyna-Support®

A wide range of options for use in all living spaces such as homes, offices or public places. Comfy, cozy and adaptable despite its simple looks.

Trea **Dyna-Support**® is response: It reacts to the weight of you, eliminating the need to make any special adjustments. It is a weight-activated mechanism with synchronous motion that helps keep your body in a healthy, natural position through average working hours. Allows 18 degrees of back tilt motion. Can be locked in an upright position. Perfect for touchdown areas and shared working environments.

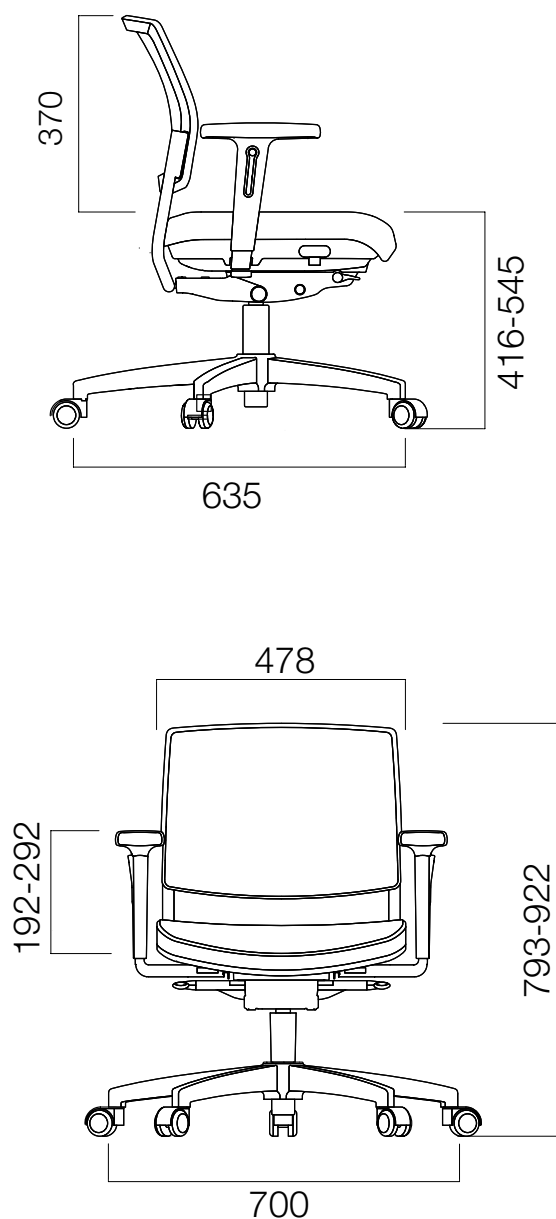
- Structural flexibility with durable, elastic mesh backrest.
- A variety of personalization options.
- Optional armrests.

Design by Paul Brooks

Paul Brooks is a British designer who lives in France and works in Germany. An expert in office seating products design, Brooks' Anglo-German studio produces focused and conscious design solutions for furniture companies and suppliers in Europe and America.



DIMENSIONS (mm)



Dimensions defined in millimeters.

Materials

Frame color is black. Legs come with black PP or aluminum. Upholstery is available in different materials.*

Upholstery

Seat upholstery available in fabric, leather and eco-leather. Backrest is available in mesh.*

*Please refer to technical document.